

Genkotsu-Robot 3 High Speed Picking and Assembly Robot

FANUC Robot M-3*i*A

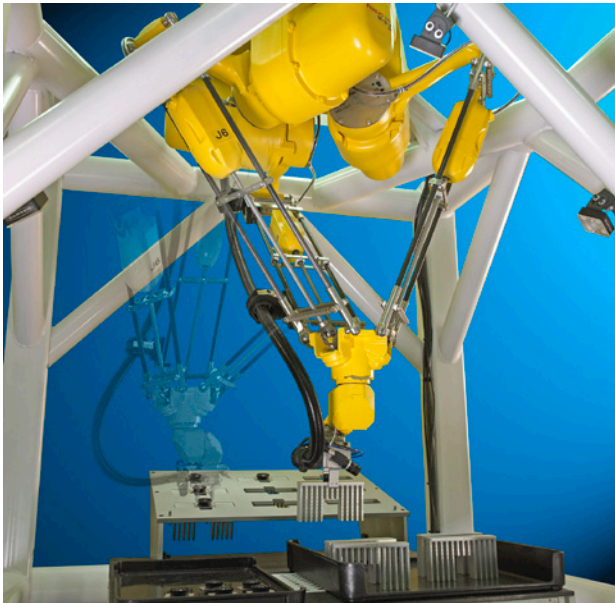


Features

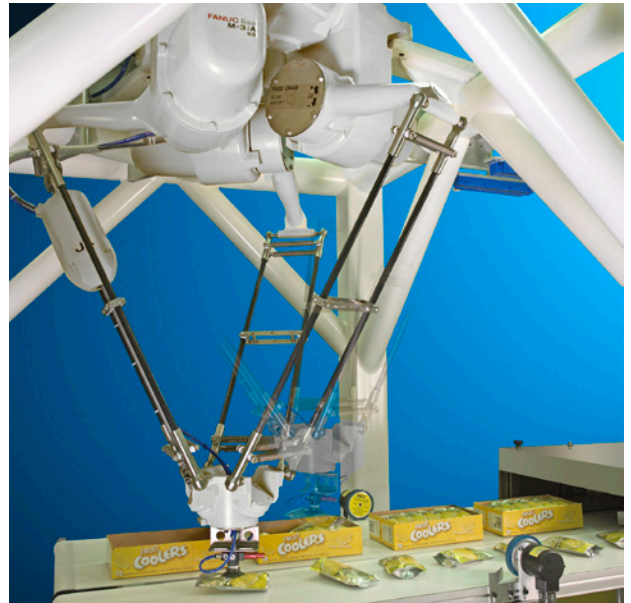
The FANUC M-3*i*A is a high speed picking and assembly robot with a 6kg payload. This exclusive six-axis parallel-link design has expanded robotization of transfer and assembly applications.

- Three models are available to meet a variety of applications.
 - FANUC Robot M-3*i*A/6S
The four-axis model features a single-axis wrist rotation. This model is suitable for high-speed picking and Visual Line Tracking.
 - FANUC Robot M-3*i*A/6A
The six-axis model features three rotational axes at the wrist. The directional freedom of a three-axis wrist configuration is ideal for assembly operations.
 - FANUC Robot M-3*i*A/12H
The three-axis model features a 12kg payload without wrist rotation. This model is suitable for super high-speed picking and transfer applications.
- IP67-rated enclosed mechanical unit offers reliable water and dust proof ability.
- Food adaptation option utilizes a high durability surface treatment and food grade lubricant, making it ideal for handling food and beverage products.
- The latest intelligent functions can be applied using *i*RVision or Force Sensor.

Application system



M-3*i*A solar collector assembly

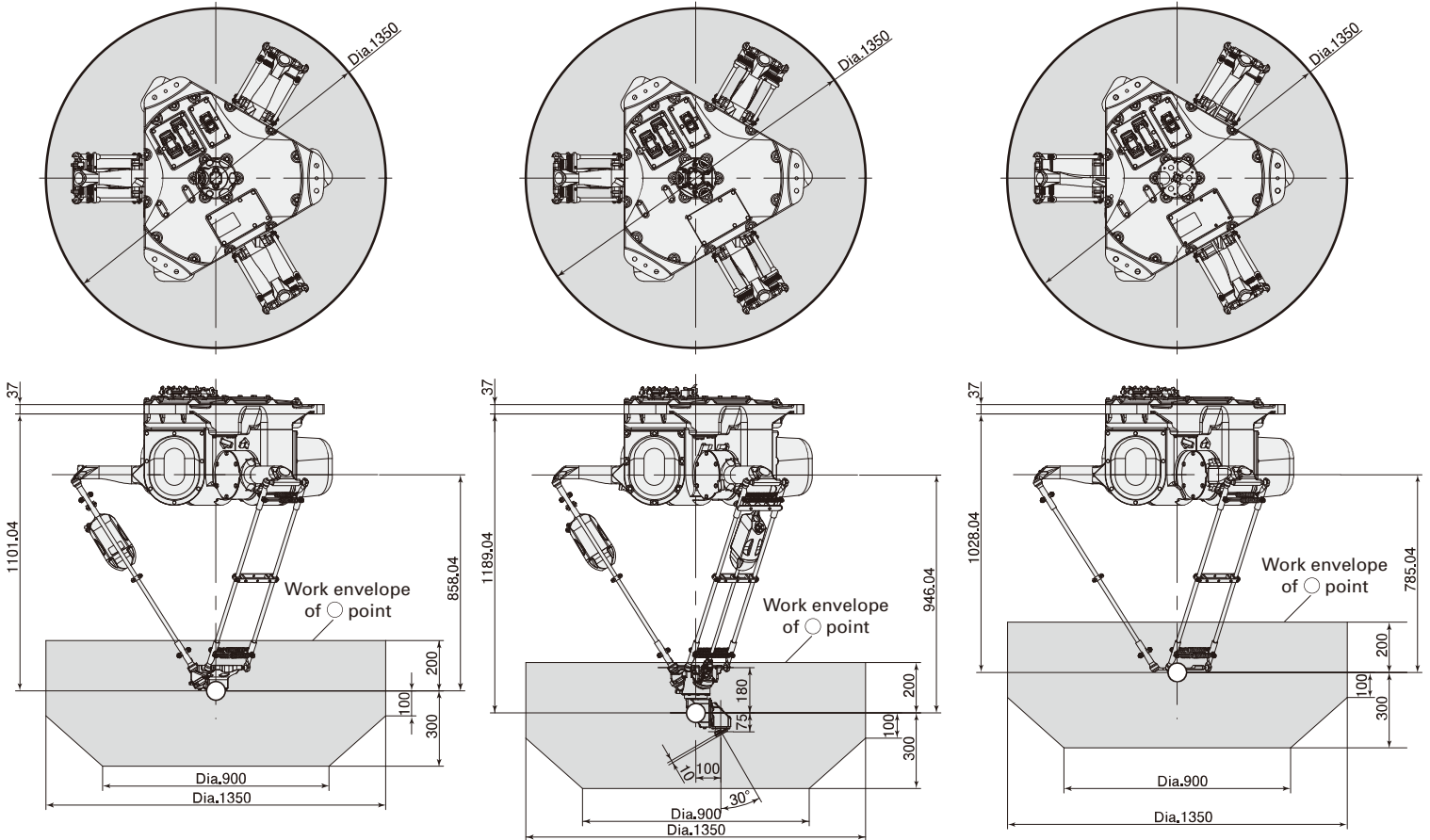


M-3*i*A packing juice into boxes

M-3iA/6S

M-3iA/6A

M-3iA/12H



Specifications

Item	Specifications		
	M-3iA/6S	M-3iA/6A	M-3iA/12H
Type	Parallel link mechanism		
Controlled axes	4 axes (J1, J2, J3, J4)	6 axes (J1, J2, J3, J4, J5, J6)	3 axes (J1, J2, J3)
Installation	Ceiling mount		
Motion range (Maximum speed) (Note1)	J1-J3	Diameter 1,350mm, height 500mm	
	J4	720° (4000°/s) 12.57 rad (69.81 rad/s)	720° (2000°/s) 12.57 rad (34.90 rad/s)
	J5	-	300° (2000°/s) 5.24 rad (34.90 rad/s)
	J6	-	720° (2000°/s) 12.57 rad (34.90 rad/s)
Max.payload at wrist	6kg		12kg
Repeatability	±0.1mm		
Drive method	Electric servo drive by AC servo motor		
Mass (Note2)	160 kg	175 kg	155 kg
Installation environment	Ambient temperature : 0~45°C Ambient humidity Normally : 75%RH or less (No dew, nor frost allowed) Short term : Max. 95%RH or less (within one month) Vibration : 0.5G or less		

Note 1) In case of short distance motion, the axis speed doesn't reach maximum one.

Note 2) Without controller.

FANUC

FANUC AMERICA CORPORATION
 3900 WEST HAMLIN ROAD
 ROCHESTER HILLS MI 48309-3253

